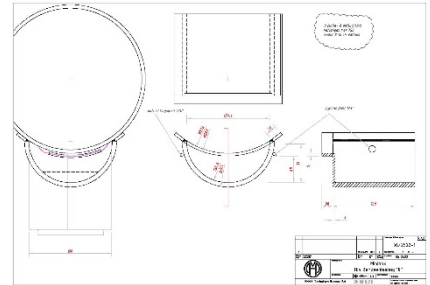
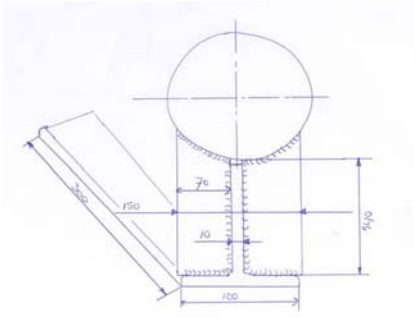




## Worldwide repairs carried out with PolymerMetal®

REP-# 173



A piping made of carbon steel in a refinery had a severe leakage with benzol streaming out with high pressure (10 bar). With the help of an auxiliary construction, MM-metal oL-steelceramic and MM-metal SS-steel the leak was sealed. Here besides the common application method (trowelling) also the injection method was used.

Further detailed information can be found here

[www.metalexistence.com/benzenepipe](http://www.metalexistence.com/benzenepipe)

**MultiMetal**  
the MetalExistenceCompany®